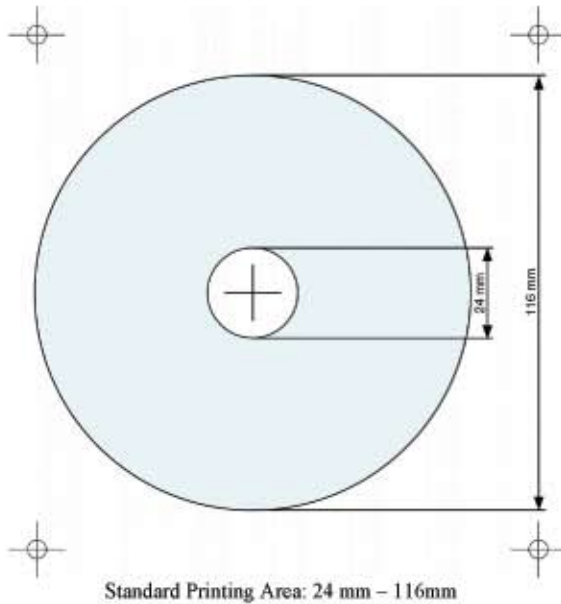
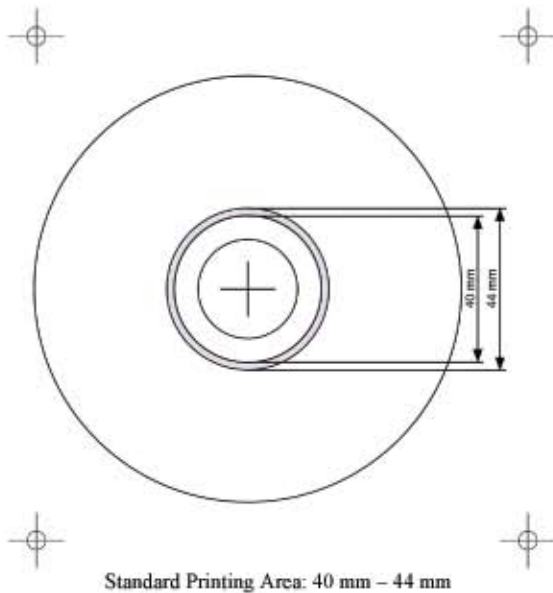


DVD-ROM silk-screening

DVD 5/9 Standard Printing Area



DVD 10 Standard Printing area



Your printing area:

- For DVD5/9, all artwork has to be within the 24 mm -116 mm area.

- For DVD 10, all artwork has to be within the 40 mm - 44 mm area.

- Nothing can be print beyond the printing area.

Note: If you wish to print with a special white background, please prepare a separate artwork for your white plate with registration marks that can align with the original artwork.

Registration marks and center cross hair:

- Registration marks are used for aligning the separated colour plates and must be drawn at the 4 corners of your artwork.

- Center cross hair help us to locate the center of your artwork and must be presented.

- All registration marks and center cross hair should be drawn in 0.5 pt stroke and in registration colour (they must be appeared on all plates of films).

- All registration marks and center cross hair should be sharp and clear and should not be drawn in a pixel based program.

Note: Any artwork that does not meet above requirement will be put on hold and cause delay. Client will have to resubmit new file(s) or authorize Blu to perform artwork modification at \$75 per hour (0.5 hour minimum).